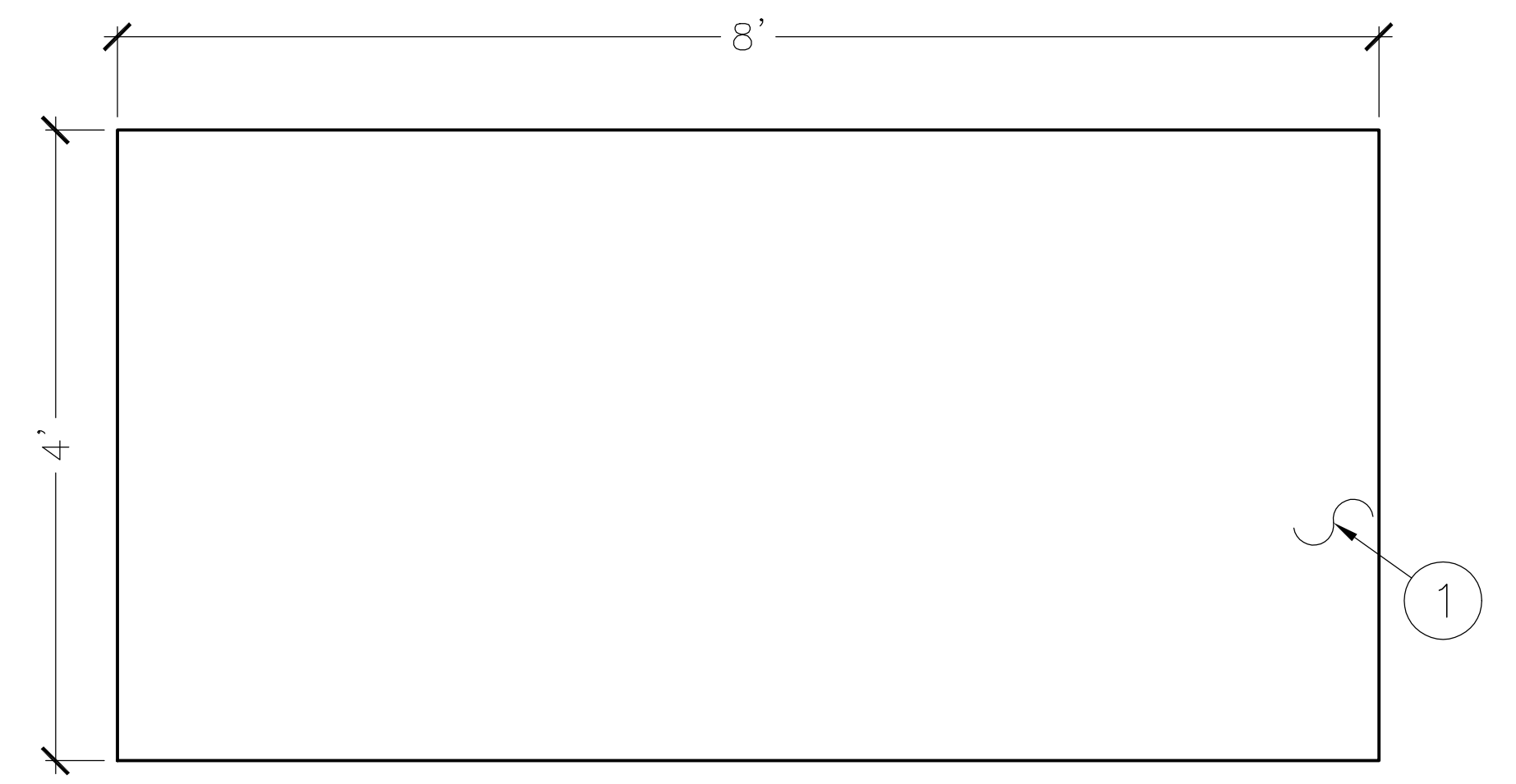
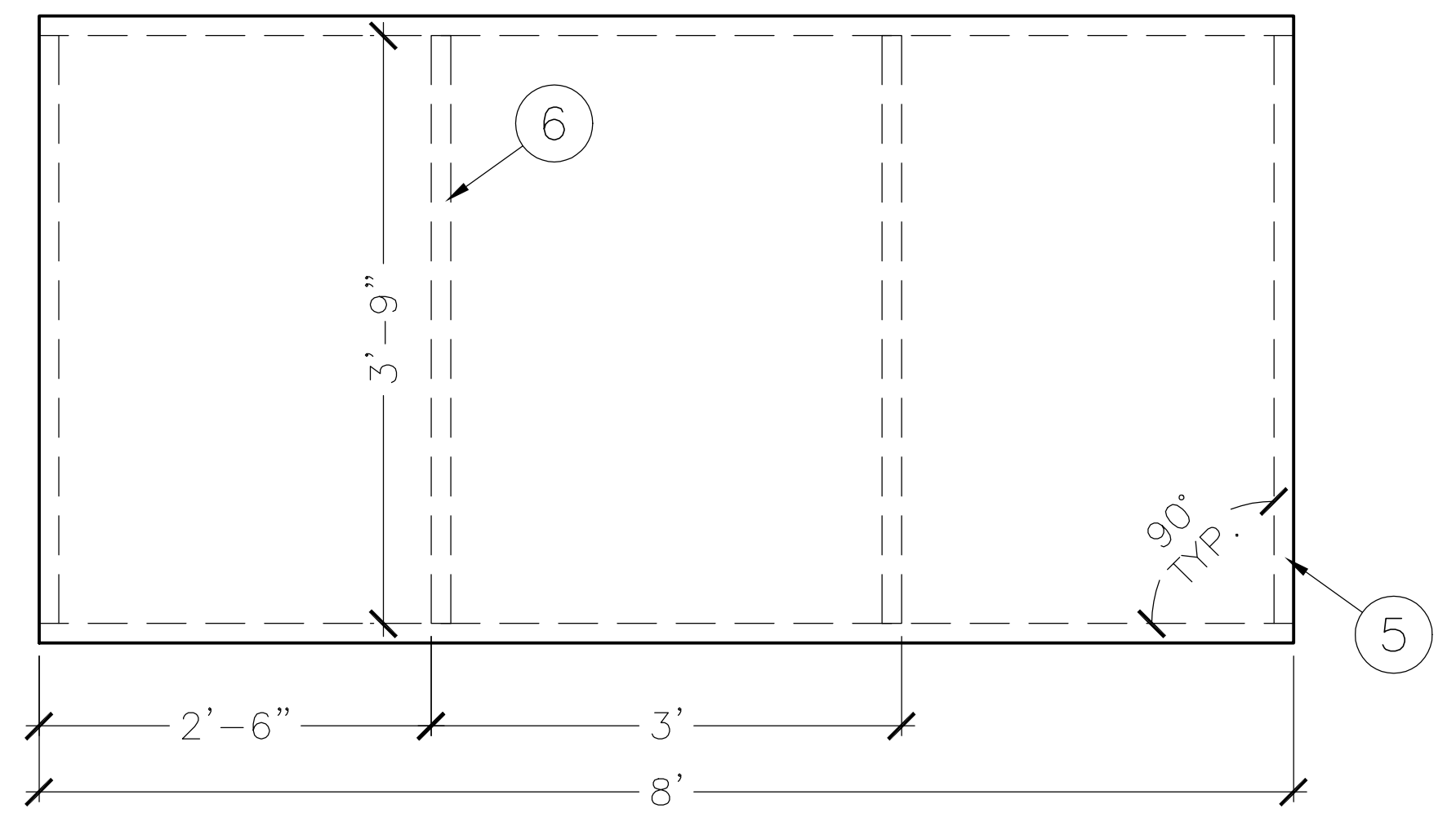


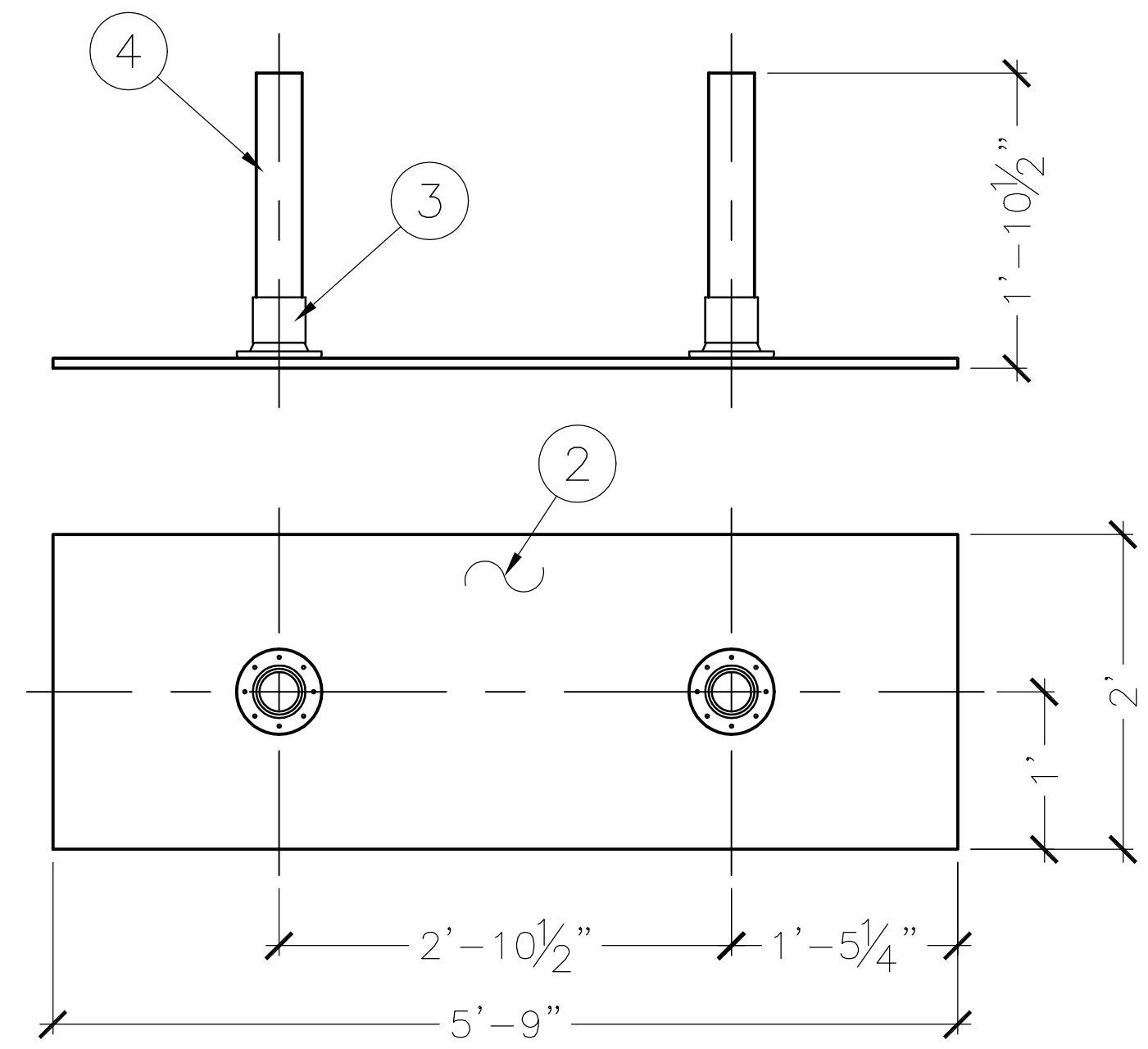
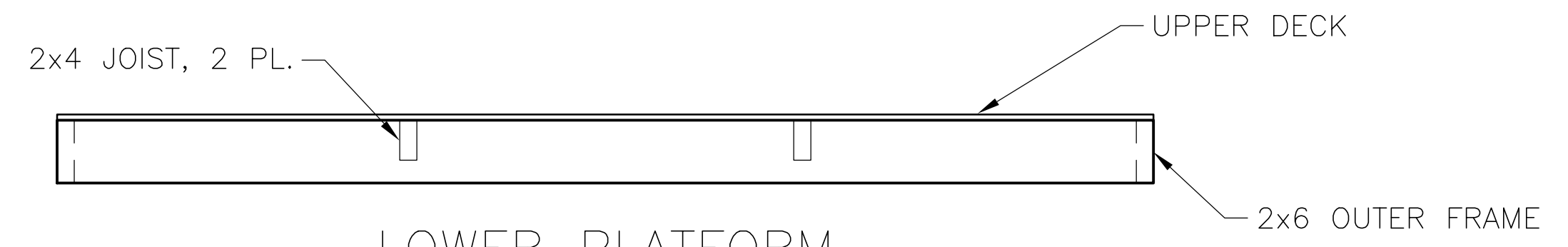
ITEM	QTY.	DESCRIPTION	LENGTH	REMARKS
1	2	4'x8'x1/2" PLYWOOD	.	-
2	1	4'x8'x3/4" PLYWOOD	.	-
3	2	3/2" PVC CLOSET FLANGE	.	-
4	1	3"ID SCHEDULE 40 PVC PIPE	10'	-
5	2	2x6x8' SPF LUMBER	.	-
6	1	2x4x8' SPF LUMBER	.	-
7	1	3/4" DECK SCREWS	1/2 LB.	-



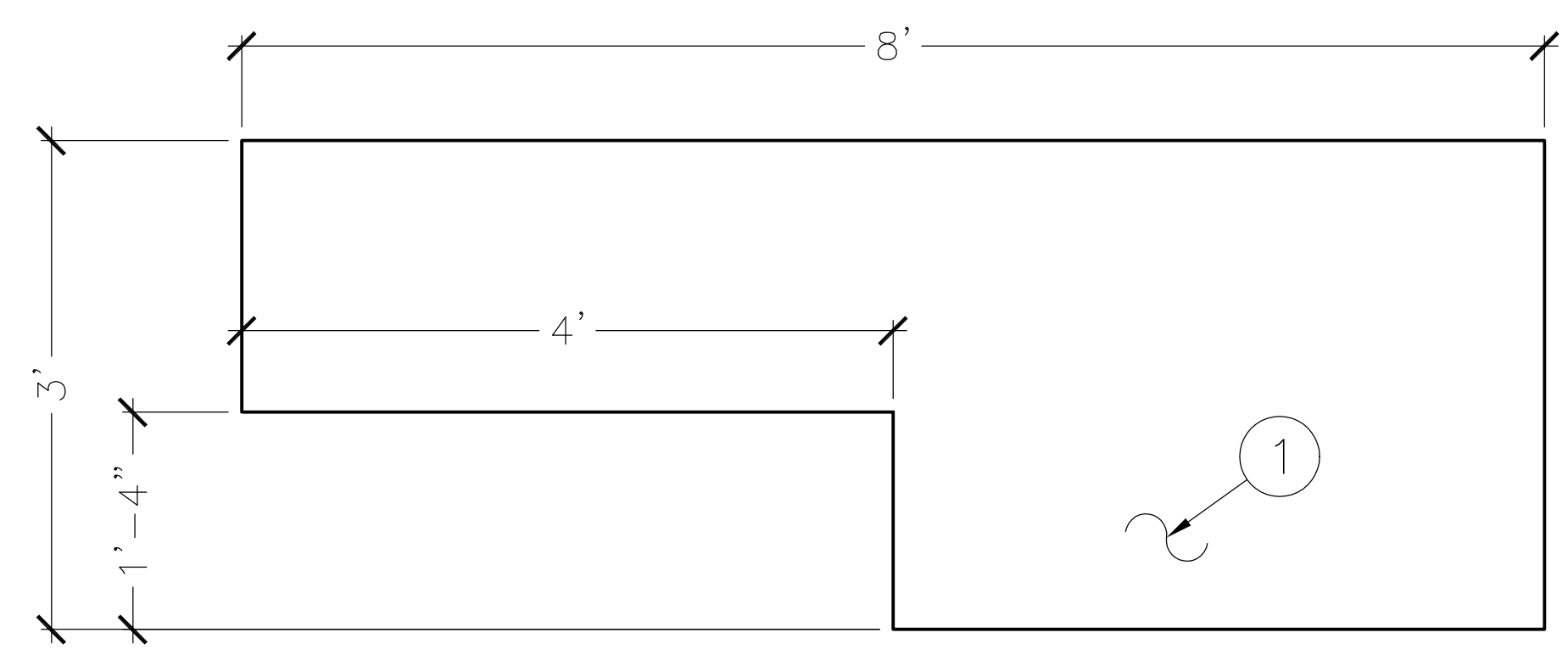
UPPER DECK



LOWER PLATFORM



BALL TEE



FIELD END PANEL,
BALL CORAL

FIRST
200 Bedford Street, Manchester, N.H. 03101
(603) 666-3906 • FAX (603) 666-3907

ENGINEER	DATE	TITLE		
DRAWN	DATE	2004 FIELD LOWER DECK, CORRAL PANEL, & BALL TEE		
JRR	12/18/03			
CHECKED	DATE			
APPROVED	DATE	SIZE CLASS ID.	DRAWING NO.	REV.
ISSUED	DATE	D FAS		
		SCALE NA		