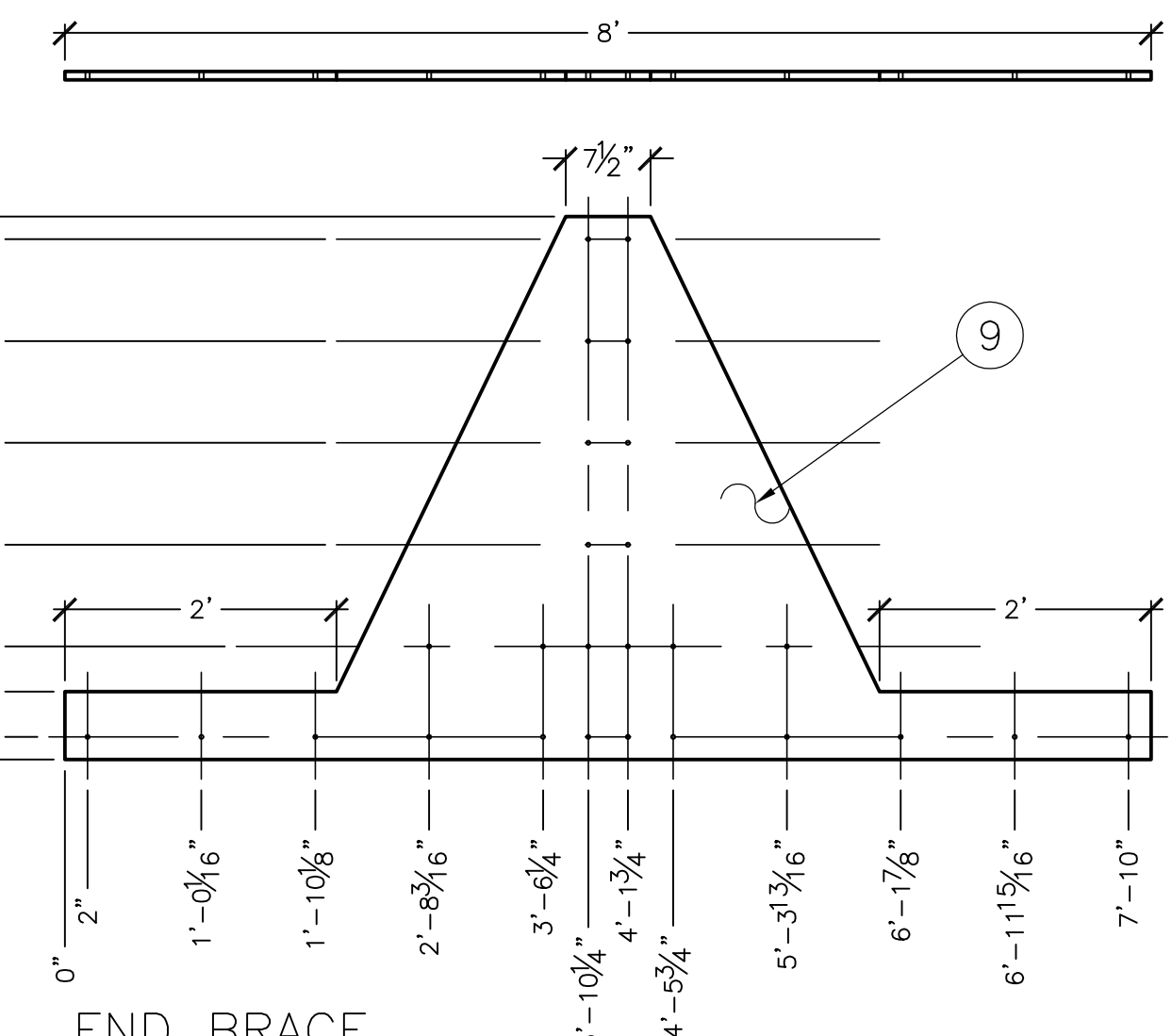
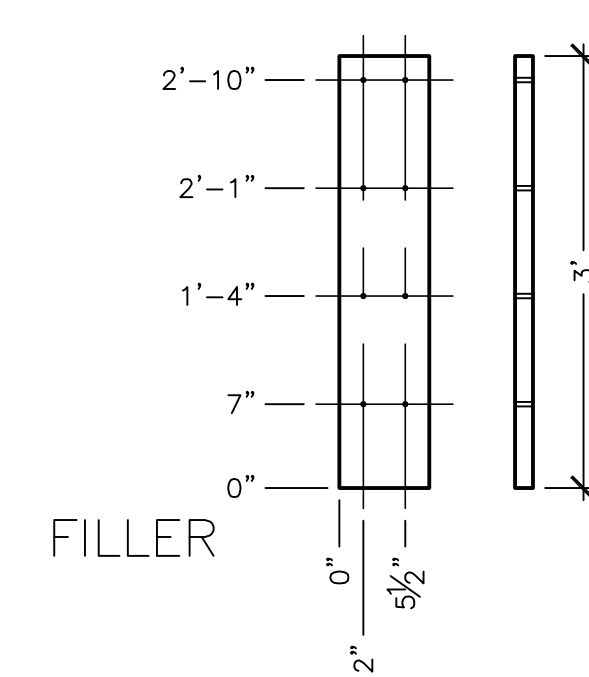
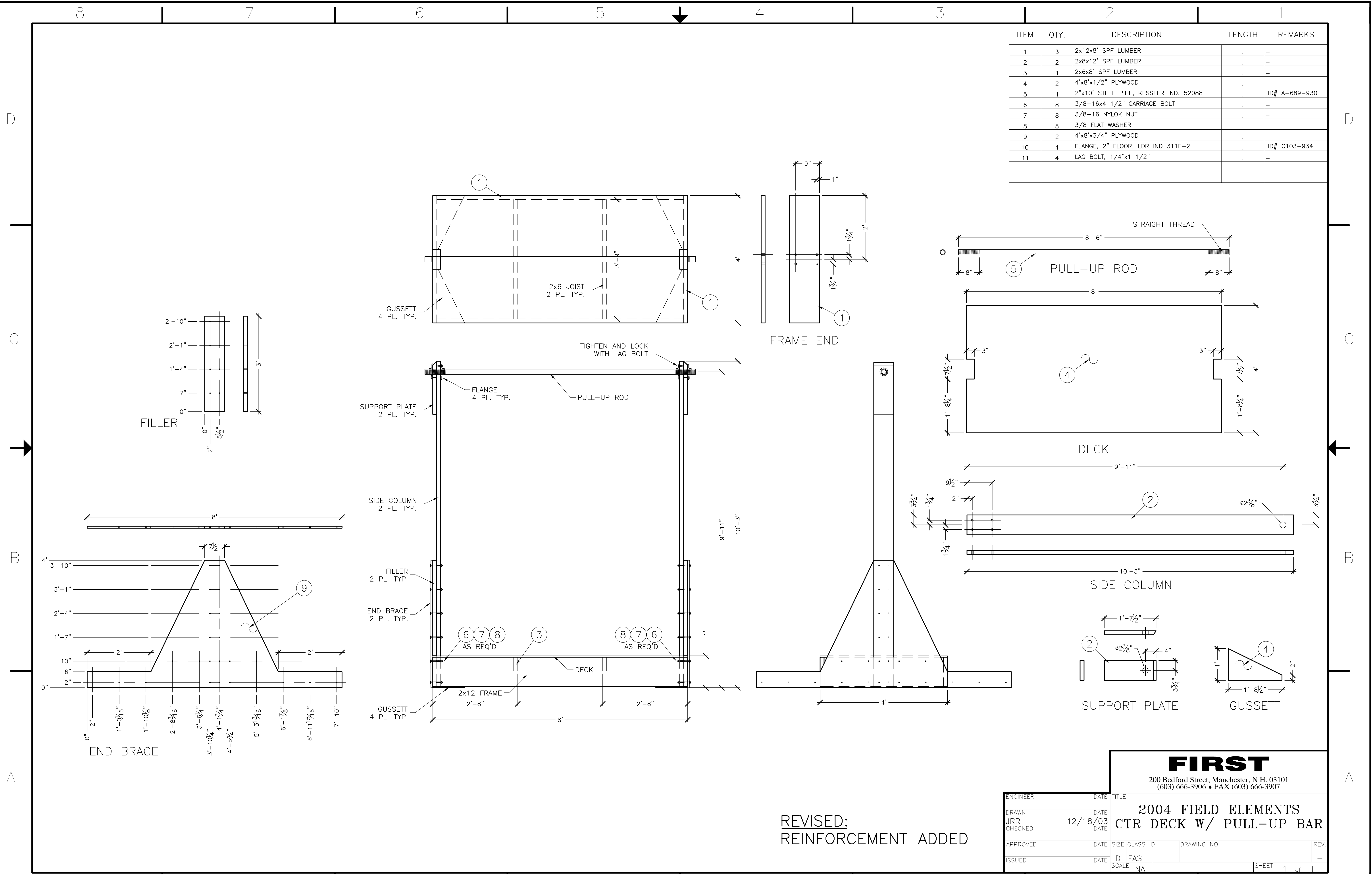


ITEM	QTY.	DESCRIPTION	LENGTH	REMARKS
1	3	2x12x8' SPF LUMBER		-
2	2	2x8x12' SPF LUMBER		-
3	1	2x6x8' SPF LUMBER		-
4	2	4'x8'x1/2" PLYWOOD		-
5	1	2"x10' STEEL PIPE, KESSLER IND. 52088		HD# A-689-930
6	8	3/8-16x4 1/2" CARRIAGE BOLT		-
7	8	3/8-16 NYLOK NUT		-
8	8	3/8 FLAT WASHER		-
9	2	4'x8'x3/4" PLYWOOD		-
10	4	FLANGE, 2" FLOOR, LDR IND 311F-2		HD# C103-934
11	4	LAG BOLT, 1/4"x1 1/2"		-



REVISED:
REINFORCEMENT ADDED

FIRST
200 Bedford Street, Manchester, N.H. 03101
(603) 666-3906 • FAX (603) 666-3907

ENGINEER	DATE	TITLE
DRAWN	DATE	2004 FIELD ELEMENTS
JRR	12/18/03	CTR DECK W/ PULL-UP BAR
CHECKED	DATE	
APPROVED	DATE	SIZE CLASS ID. DRAWING NO. REV.
ISSUED	DATE	D FAS
	SCALE	NA
	SHEET	1 of 1