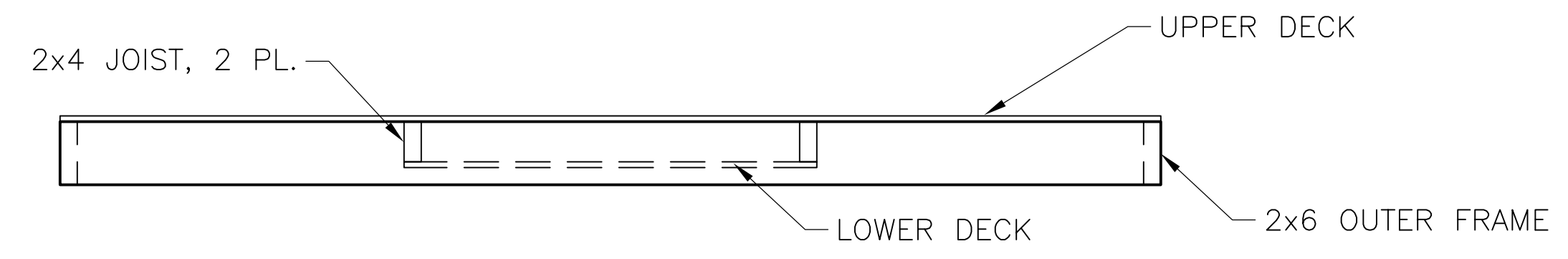
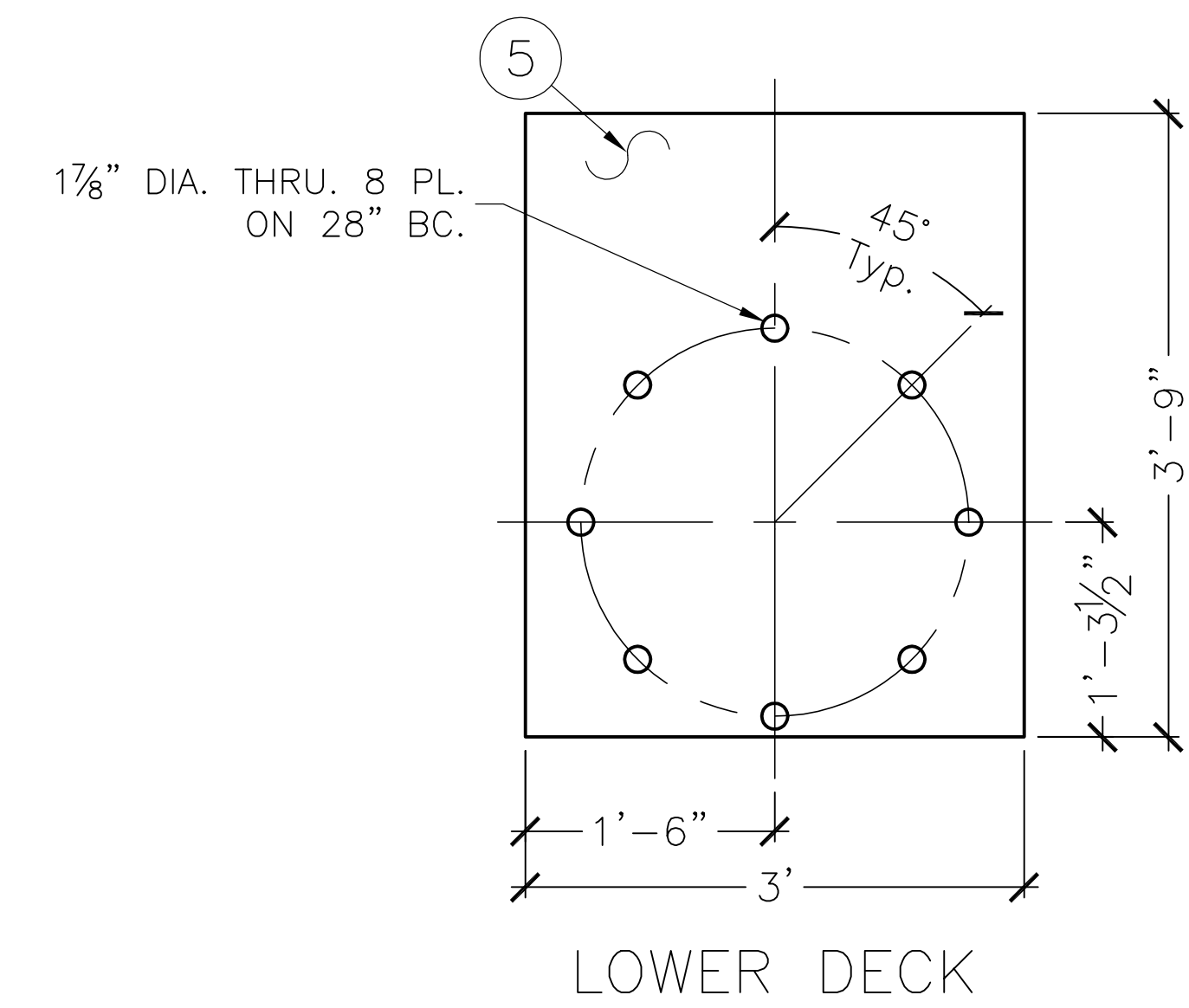
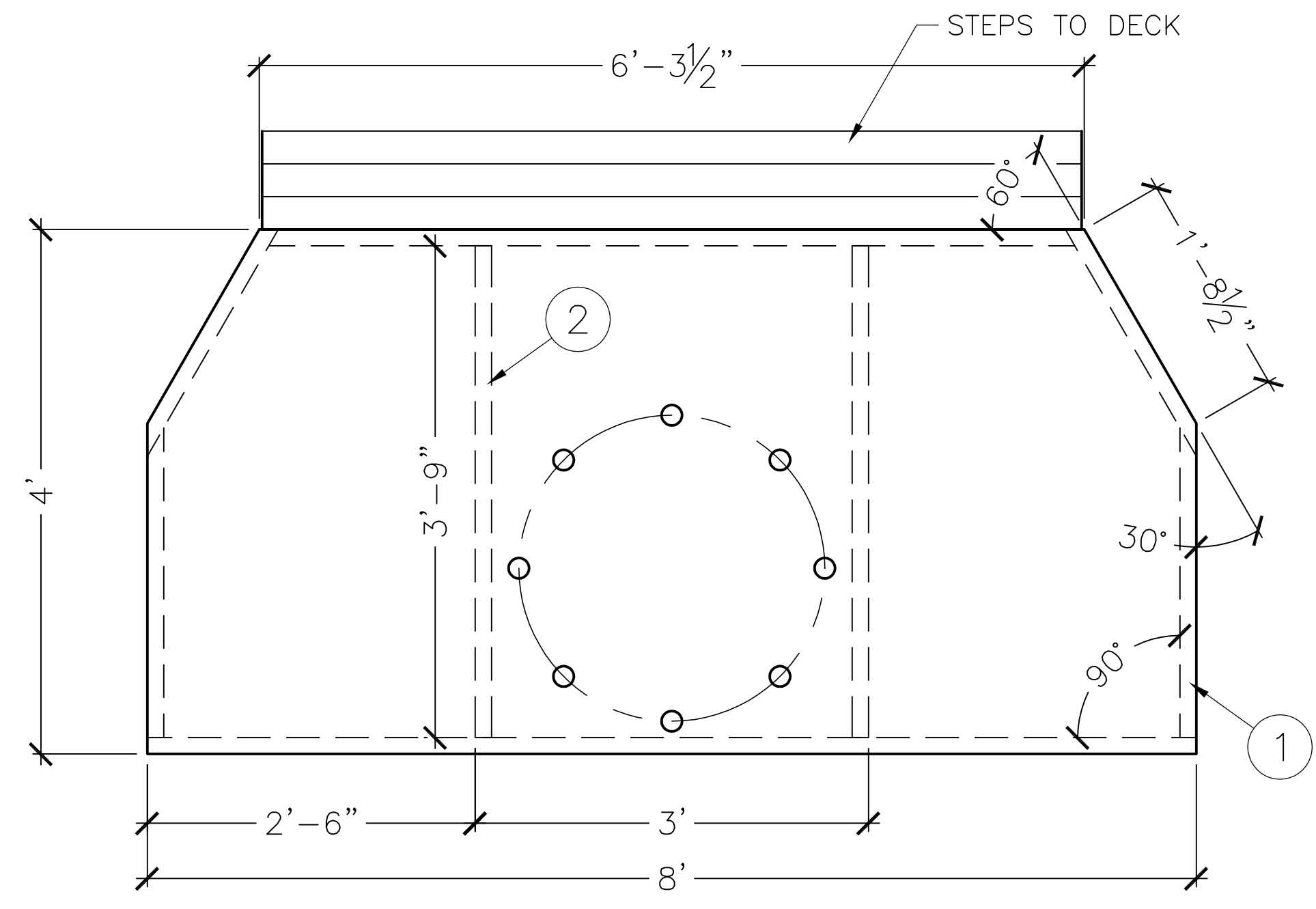
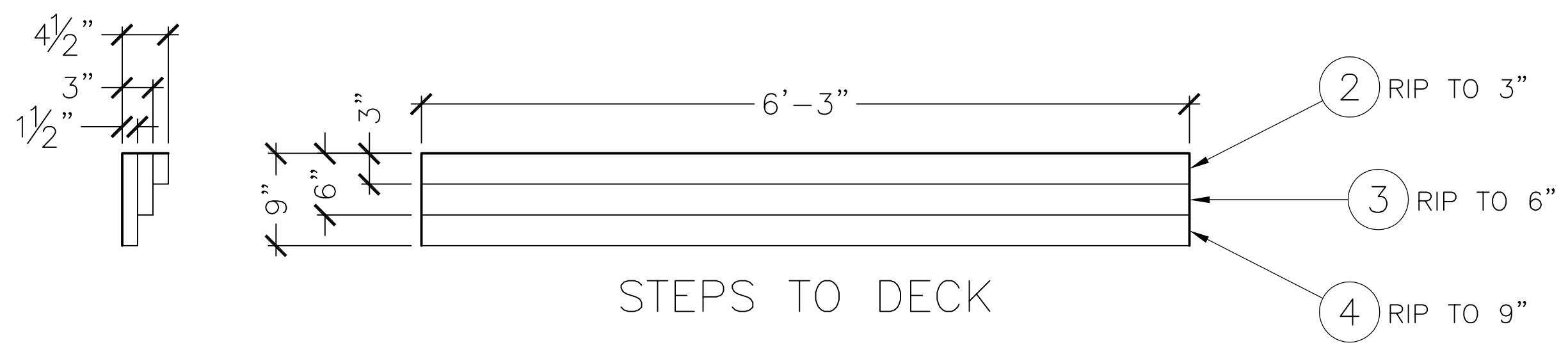
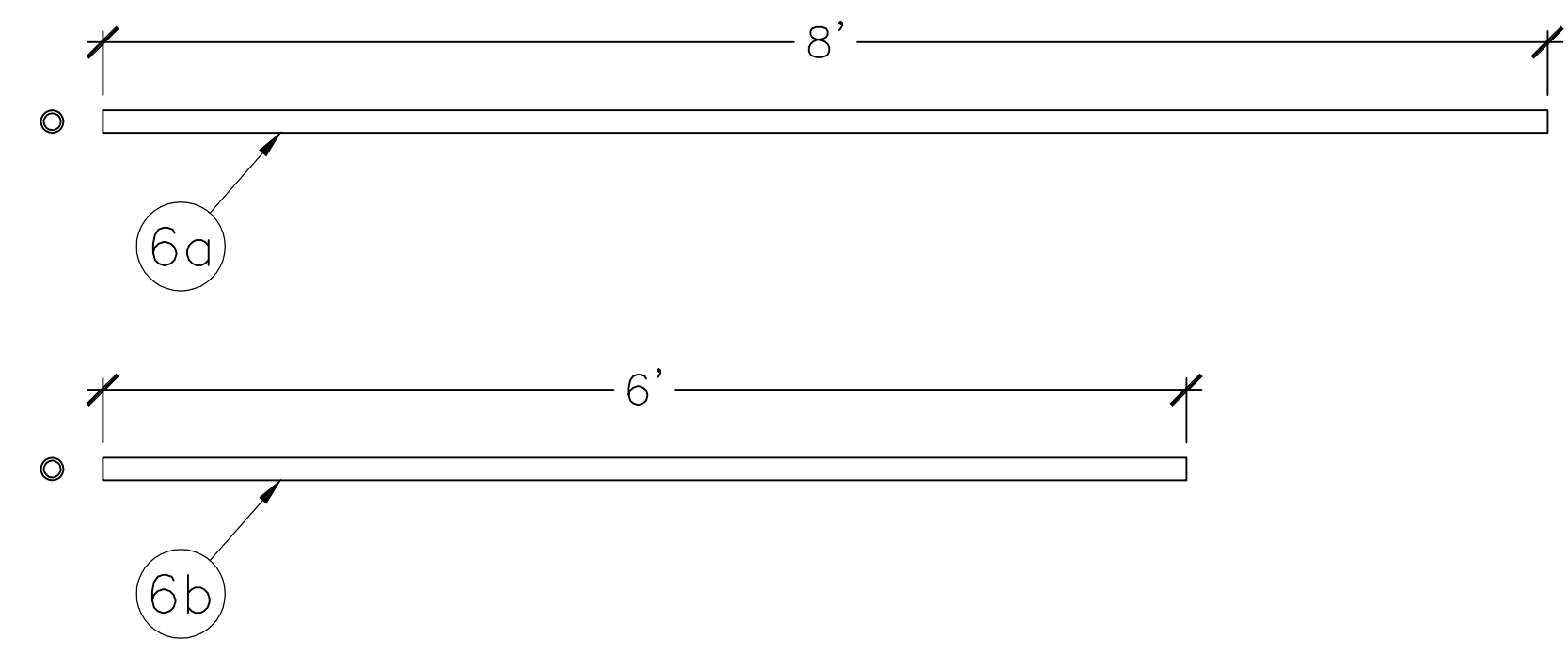
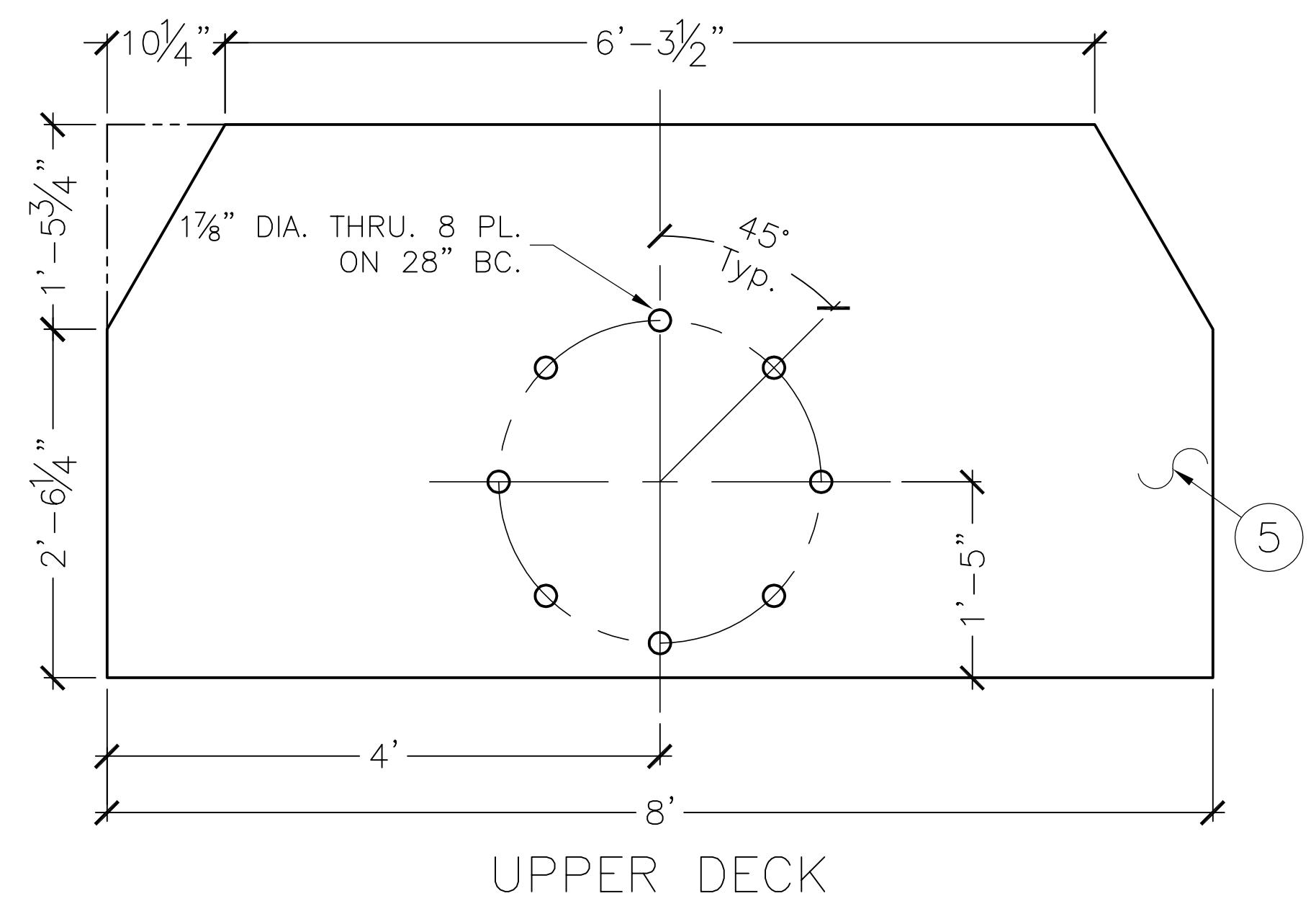


ITEM	QTY.	DESCRIPTION	LENGTH	REMARKS
1	5	2x6x8' SPF LUMBER	.	-
2	2	2x4x8' SPF LUMBER	.	-
3	1	2x8x8' SPF LUMBER	.	-
4	1	2x10x8' SPF LUMBER	.	-
5	2	4'x8'x1/2" PLYWOOD	.	-
6a	5	1 1/2" SCHEDULE 40 PVC PIPE	96	-
6b	3	1 1/2" SCHEDULE 40 PVC PIPE	72	-
7	2	2 1/2" DECK SCREWS	.	2 LBS.
8	2	1 1/4" DECK SCREWS	.	1 LBS.



**FIRST**  
 200 Bedford Street, Manchester, N.H. 03101  
 (603) 666-3906 • FAX (603) 666-3907

ENGINEER	DATE	TITLE		
DRAWN	DATE	2004 FIELD ELEMENTS STATIONARY GOAL		
JRR	12/18/03			
CHECKED	DATE			
APPROVED	DATE	SIZE/CLASS ID.	DRAWING NO.	REV.
ISSUED	DATE	D FAS		-
	SCALE	NA		
	SHEET	1	of	1